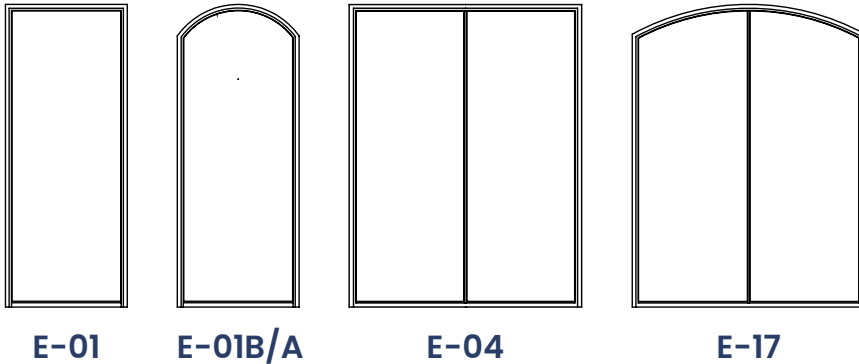


# FLORIDA NON-IMPACT CODES

The following guidelines are only for Standard Non-Impact DP-50 Rated units for the state of Florida. For outside of Florida, the limitations are different in terms of what configurations and sizes will be certified with NAMI certification.



**FL# 21873.1**  
DP+/-50

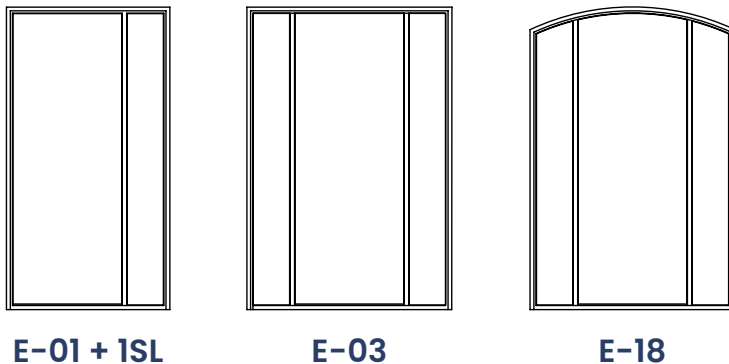
**Single Door Max. Size:**

3'0" x 8'0"

**Double Door Max. Size:**

6'0" x 8'0"

*\*Breezport, Dutch, and Slimline doors are not DP-50 Rated.*



**FL# 21873.3**  
DP+/-50

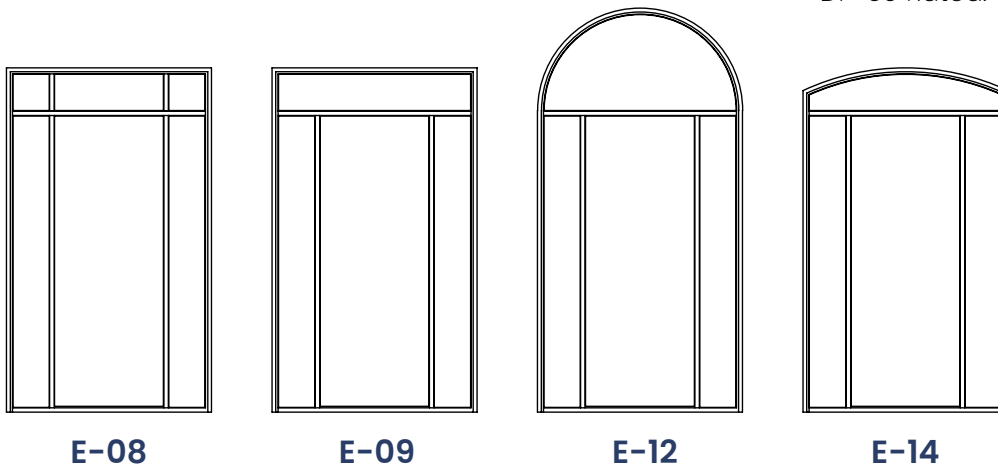
**Door Max. Size:**

3'0" x 8'0"

**Sidelite Max. Size:**

14"

*\*Trinity & Kenmure E-18 not available DP-50 for Florida. Direct set Sidelites/Transoms are not DP-50 Rated.*



**FL# 21873.3**  
DP+/-50

**Door Max. Size:**

3'0" x 8'0"

**Sidelite Max. Size:**

14"

**Transom Max. Size:**

34"

Standard doors not available DP-50 Rated for Florida:

3'6" door sizes (Keowee, Trinity, Porthole, Meadowlands, Alexandria 8LT, Tuscany 6LT, Linville, Carlo Tri LT, & Kenmure); double doors with transoms (E04+T, E04+SEGT, E07, E19, & E19B); double doors with sidelites (E04+SL).